



Kean Chooi Engineering & Construction (M) Sdn. Bhd.



*Water Control Gates &  
Associated Systems Specialist*

# About us



**Kean Chooi Engineering & Construction (M) Sdn. Bhd.** have been in industrial engineering solutions for over 40 years of experience with the main strengths of economical high-tech industrial solutions and quality products. Our experienced Engineering Department has been setup as the mission on product development and quality improvement. We have obtained and upgraded from JPT to the JPS Standard.

Our water work projects include *Roller Gate, HDPE Flap Gate, Radial Gate, Screw Down Gate, Tilting Gate, Stainless Steel/Mild Steel Pump Column, Stoplog and Hybrid Wind & Solar Off Grid System*

that was recommended in Malaysia government project base of the reliability of product quality. With our complete range of products giving the complete solution to the user to fulfill their project needs.

On going of new products is our policy is to sustain the needs on demand. With our water control gates supplied to many major national water works projects such as national sewage treatment plant face I and II projects, JBA news and upgrading projects, JPS drainage and flood control projects, and others. The quality and performance reliability is the key factor.



## Roller Gate



### Application

- Water Control (Water Management)
- Tidal Control
- Storage

### Material Specifications

- Stainless Steel 304/316, Mild Steel
- Galvanized Epoxy Coated or Aluminium

### Features

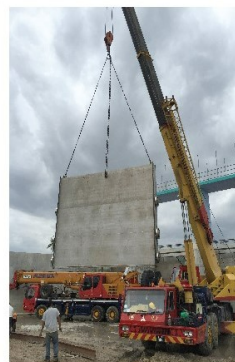
- Manual or Electrical Drive (Rotork Actuator)
- Proven Application
- Size 10'x10', 12'x12', 12'x14', larger size on request
- Incorporate to SCADA System & Solar Operated
- Easy for maintenance

### Design Submergence :

- Submergence head maximum 5 meter (Standard Design)
- Above 5 meter submergence on request
- Design subject to change without prior notice
- Dimension in catalogue were varies
- Design and thickness are verify by consultant
- 0.6m~2.8m larger size on request.



Stainless Steel Main Roller



Hoisting Set



## HDPE Flap Gate



### Application

- Back flow prevention
- Water outlet
- Tidal / Flood control

### Advantages

- Long Shelf Life
- Resistance to most Chemical & Oil
- High Temperature Resistance
- Low Head Loss & Low Maintenance
- Operation not affected by Rust or Binacles

### Material Specifications

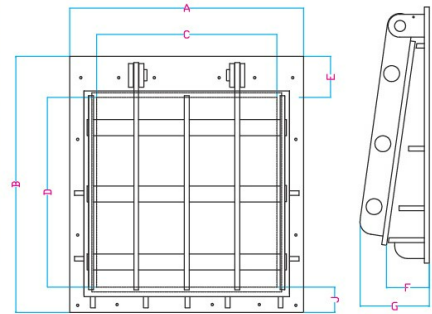
- Plate - 30mm HDPE (High Density Polyethylene)
- Seal - EDPM (Ethlene Propylene) Lip Seal
- Bush - Bronze
- Pin - Stainless Steel 304/316
- Leakage test - AWWA C501 (Subject to proper Installation and mounting condition)

### Design Submergence :

- Submergence head maximum 5 meter (Standard Design)
- Above 5 meter submergence on request
- Design subject to change without prior notice
- Dimension in catalogue were varies
- Design and thickness are verify by consultant
- 0.6m~2.8m larger size on request.

TYPE		A	B	C	D	E
KC-915 (Sg. Batu Tiga) 700 x 700		950	1065	700	700	140
KC-915 (CH 5850 L) 700 x 850		980	1215	700	850	140
KC-915 (NKVE-V-drain) 900 x 900		1180	1265	900	900	140
KC-915 (NKVE-box-clover (RCP) 900 x 900		1180	1265	900	900	140
KC-1200 (CH 4150 R) 900 x 1200		1180	1565	900	1200	140
KC-1200 (CH 4300 R) 900 x 1200		1180	1565	900	1200	140
KC-1200 (CH6500 L) 1000 x 1000		1250	1420	1000	1000	260
KC-1200 (CH6550 L) 1000 x 1000		1250	1420	1000	1000	260
KC-1200 (NKVE - 1) 1000 x 1000		1250	1420	1000	1000	260
KC-1200 (NKVE - 2) 1000 x 1000		1250	1420	1000	1000	260
KC-1200 (Sauiana indah near TNB) 1200 x 1200		1480	1620	1200	1200	260
KC-1200 (Sauiana indah RCP) 1000 x 1000		1250	1420	1000	1000	260

F	G	J	Material	thk
226	470	135	HDPE	30 mm
226	470	135	HDPE	30 mm
226	470	135	HDPE	30 mm
226	470	135	HDPE	30 mm
226	470	135	HDPE	30 mm
226	470	135	HDPE	30 mm
226	470	135	HDPE	30 mm
226	470	135	HDPE	30 mm
226	470	135	HDPE	30 mm
226	470	135	HDPE	30 mm



## Radial Gate

### Application

- Water Control (Water Management)
- Tidal Control
- Storage

### Material Specifications

- HDPE, Stainless Steel 304/316, Mild Steel Galvanized Epoxy Coated or Aluminium

### Features

- Manual or Electrical Drive (Rotork Actuator)
- Proven Application
- Size 6'x20', 6'x15', 10'x12', larger size on request
- Incorporate to SCADA System & Solar Operated
- Easy for maintenance



### Design Submergence :

- Submergence head maximum 5 meter (Standard Design)
- Above 5 meter submergence on request
- Design subject to change without prior notice
- Dimension in catalogue were varies
- Design and thickness are verify by consultant
- 0.6m~2.8m larger size on request.



## Screw Down Gate/ Penstock



### Application

- Water Control (Water Management)
- Tidal Control
- Storage

### Material Specifications

- HDPE, Stainless Steel 304/316, Mild Steel, Galvanized Epoxy Coated

### Features

- Manual or Electrical Drive (Rotork Actuator)
- Proven Application
- Size 3'x3', 4'x4', 5'x5', 6'x6', larger size on request
- Incorporate to SCADA System & Solar Operated
- Easy for maintenance





## Tilting Gate

### Application

- Water Control (Water Management)
- Storage

### Material Specifications

- Stainless Steel 304/316, Mild Steel, Galvanized Epoxy Coated

### Features

- Hydraulic Cylinder and Hydraulic Power Pack
- Proven Application
- Size 4'x4', 5'x5', 6'x6', larger size on request
- Incorporate to SCADA System & Solar Operated
- Easy for maintenance



## Stainless Steel/Mild Steel Pump Column

### Application

- Discharge Water
- Submersible Pump
- Radial Pump

### Material Specifications

- Stainless Steel 304/316, Mild Steel, Galvanized

### Features

- $\phi 300$ ,  $\phi 350$ ,  $\phi 500$ ,  $\phi 600$ ,  $\phi 1200$ ,  $\phi 1500$ , larger size on request
- Easy installation

#### Design Submergence :

- Submergence head maximum 5 meter (Standard Design)
- Above 5 meter submergence on request
- Design subject to change without prior notice
- Dimension in catalogue were varies
- Design and thickness are verify by consultant
- 0.6m~2.8m larger size on request.



## Stoplog

### Application

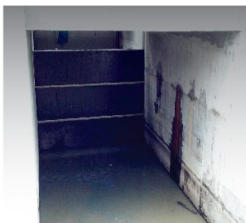
- Service Purpose
- Block Water

### Material Specifications

- Mild Steel, Galvanized Epoxy Coated, HDPE

### Features

- Lifting Beam
- Proven Application
- Size on request
- Easy for storage



## Hybrid Wind & Solar Off Grid



# Fabrication



# Inspection



# Installation





**Kean Chooi Engineering & Construction (M) Sdn. Bhd.** (753103-V)

No. 1069, Mukim 2, Jalan Samagahah,  
Permatang Pauh, Seberang Perai Tengah,  
13500 Butterworth, Pulau Pinang, Malaysia.

 04-380 8122, 04-380 8128  
 04-380 8123  
 okc1069@yahoo.com.my